



**COMFORT II base unit pull-out**



**Improved action!**  
 The technology that goes into a COMFORT II runner system meets all the criteria for today's kitchen pull-outs.

Effortless ease and smooth action – **a joy to use!**

The COMFORT II base unit fitting, with its height-adjustable trays, adapts perfectly to each user's individual requirements for kitchen storage. Extra purpose-designed elements are available to store bottles, bread, coffee and tea.

Totally practical:  
 optional spice rack in a 90° pull-out!



Optimal for efficient production processes.  
 The fitting is simply clipped onto the runner!  
 No tools required!

**Product features**

- ClickFixx:  
Click together (fitting to runner)
- 3D front adjustment
- Smooth, user-friendly action
- SoftSTOPplus damped closing

3D front adjustment

Spice rack for 90° pull-out (option)

Storage space pulls out almost 100%

Height-adjustable trays

Uses tried-and-trusted trays and baskets

State-of-the-art runner technology for smooth opening/closing



Standard with:



On request with:



### Choice of tray/basket styles

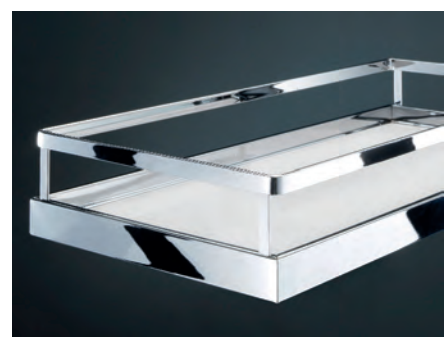
Metal baskets

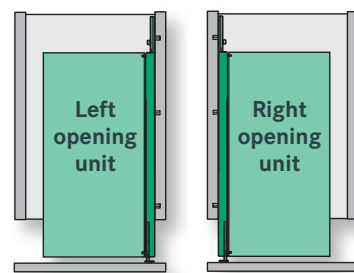
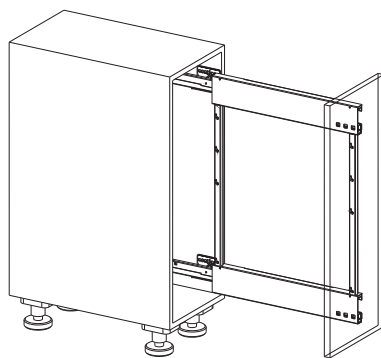
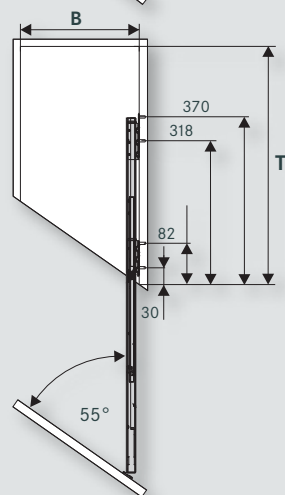
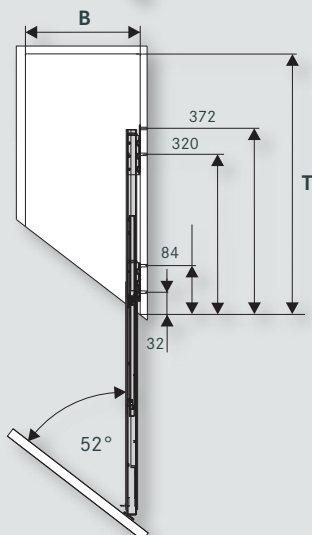
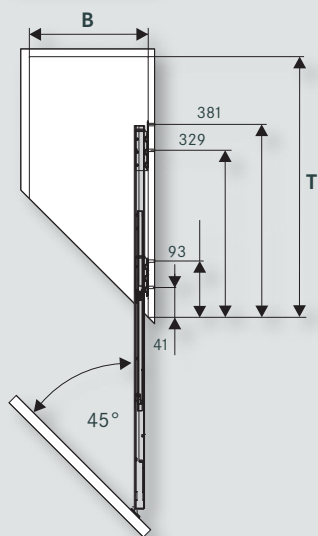
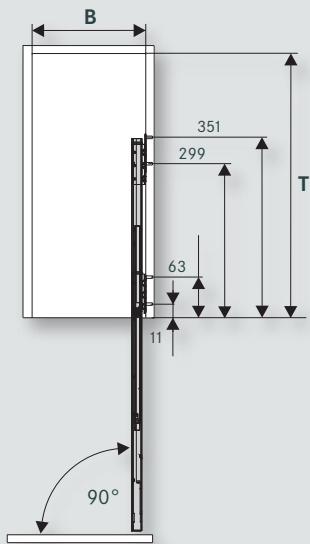


ARENA Classic



ARENA Style

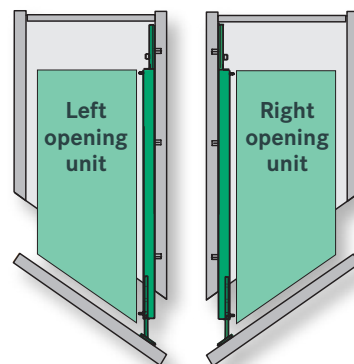
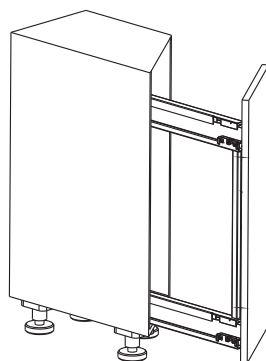




**COMFORT II full-extension, base unit pull-out with 90° front angle**

T = clear inside carcass depth:  $\geq 496$  mm

B = clear inside carcass width: Basket width + 33 mm



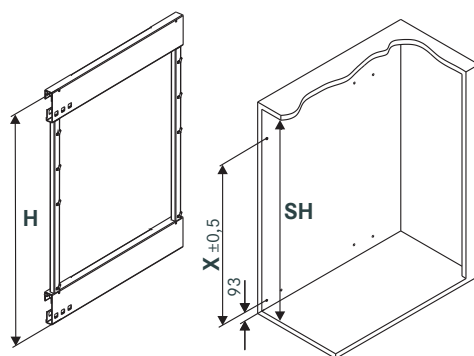
**COMFORT II diagonal full-extension, base unit pull-out**

Front angle:  $45^\circ$   $52^\circ$   $55^\circ$

T = clear inside carcass depth:  $\geq 526$   $\geq 518$   $\geq 515$

B = clear inside carcass width: Basket width + 33 mm

| H   | X   | SH         |
|-----|-----|------------|
| 502 | 416 | $\geq 526$ |
| 566 | 480 | $\geq 590$ |
| 630 | 544 | $\geq 654$ |
| 662 | 576 | $\geq 686$ |



**01 5270 Front connector 90°**  
for base unit pull-out



**Front connector**  
or diagonal base unit pull-out  
Other front panel angles on request

**01 5148** Front angle:  $45^\circ$

**01 5049** Front angle:  $52^\circ$

**01 5048** Front angle:  $55^\circ$



|   | Dimensions (mm)    | Art. no.       |
|---|--------------------|----------------|
| <b>Full-extension pull-out frame COMFORT II</b><br>incl. full-extension runner elements<br>Payload: 20 kg | Left opening unit: |                |
|   | Height: 502        | <b>23 3929</b> |
|   | Height: 566        | <b>23 3931</b> |
|   | Height: 630        | <b>23 3933</b> |
|   | Height: 662        | <b>23 3935</b> |

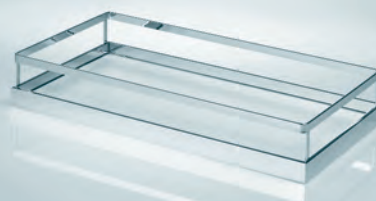
Only available plastic-coated!



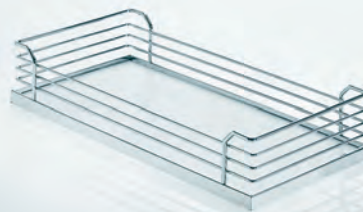
|                     |                |
|---------------------|----------------|
| Right opening unit: |                |
| Height: 502         | <b>23 3930</b> |
| Height: 566         | <b>23 3932</b> |
| Height: 630         | <b>23 3934</b> |
| Height: 662         | <b>23 3936</b> |



| <b>Hook-on tray ARENA Style</b><br>for base unit pull-out              | WxDxH          |                |
|--|----------------|----------------|
|  | 110 x 470 x 75 | <b>05 5140</b> |
|  | 160 x 470 x 75 | <b>05 5141</b> |
| <i>On request with</i><br><b>ARENAplus</b><br><i>Anti-slip coating</i> | 228 x 470 x 75 | <b>05 5142</b> |
|  | 295 x 470 x 75 | <b>05 6206</b> |



| <b>Hook-on tray ARENA Classic</b><br>for base unit pull-out            | WxDxH          |                |
|--|----------------|----------------|
|  | 110 x 470 x 88 | <b>01 5140</b> |
|  | 160 x 470 x 88 | <b>01 5141</b> |
| <i>On request with</i><br><b>ARENAplus</b><br><i>Anti-slip coating</i> | 228 x 470 x 88 | <b>01 5142</b> |
|  | 295 x 470 x 88 | <b>01 6206</b> |



| <b>Hook-on basket metal</b><br>for base unit pull-out | WxDxH          |                |
|---|----------------|----------------|
|   | 110 x 470 x 75 | <b>00 5140</b> |
|   | 160 x 470 x 75 | <b>00 5141</b> |
|   | 210 x 470 x 75 | <b>00 5142</b> |
|   | 320 x 470 x 75 | <b>00 5143</b> |



| <b>Hook-on tray ARENA Style</b><br>for diagonal base unit pull-out     | for left opening unit  |                    |
|--|------------------------|--------------------|
|  |                        | 45° 228 x 470 x 75 |
|  | 52° 228 x 470 x 75     | <b>05 5052</b>     |
|  | 55° 228 x 470 x 75     | <b>05 5072</b>     |
| <i>On request with</i><br><b>ARENAplus</b><br><i>Anti-slip coating</i> | for right opening unit |                    |
|  | 45° 228 x 470 x 75     | <b>05 5071</b>     |
|  | 52° 228 x 470 x 75     | <b>05 5053</b>     |
|  | 55° 228 x 470 x 75     | <b>05 5073</b>     |



| <b>Hook-on tray ARENA Classic</b><br>for diagonal base unit pull-out   | for left opening unit  |                    |
|--|------------------------|--------------------|
|  |                        | 45° 228 x 470 x 88 |
|  | 52° 228 x 470 x 88     | <b>01 5052</b>     |
|  | 55° 228 x 470 x 88     | <b>01 5072</b>     |
| <i>On request with</i><br><b>ARENAplus</b><br><i>Anti-slip coating</i> | for right opening unit |                    |
|  | 45° 228 x 470 x 88     | <b>01 5071</b>     |
|  | 52° 228 x 470 x 88     | <b>01 5053</b>     |
|  | 55° 228 x 470 x 88     | <b>01 5073</b>     |



| <b>Hook-on basket metal</b><br>for diagonal base unit pull-out | for left opening unit  |                    |
|--|------------------------|--------------------|
|  |                        | 45° 228 x 467 x 74 |
|  | 52° 228 x 467 x 74     | <b>00 5052</b>     |
|  | 55° 228 x 467 x 74     | <b>00 5045</b>     |
|  | for right opening unit |                    |
|  | 45° 228 x 467 x 74     | <b>00 5071</b>     |
|  | 52° 228 x 467 x 74     | <b>00 5053</b>     |
|  | 55° 228 x 467 x 74     | <b>00 5046</b>     |





**Totally practical:**  
optional spice rack for the 90° pull-out!

- On request complete with spice boxes:
- Practical and attractive – compact, effective and organised
  - Including labels – printed and blank
  - Finely controlled dispensing in three stages
  - Sliding lid opens easily, single-handed



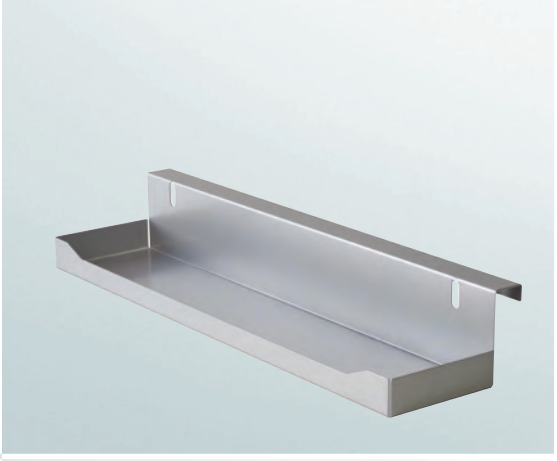
**Spice rack**  
for COMFORT II base unit pull-out

Dimensions (mm)    **Art. no.**

WxDxH  
479 x 133 x 76    **01 5277**

Takes up to 18 spice boxes

Storage area:  
476 x 103

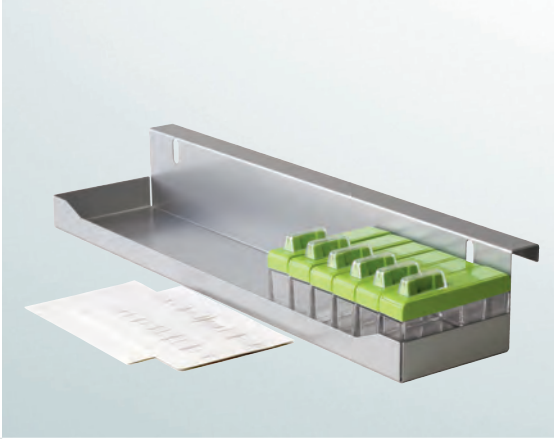


**Spice rack**  
for COMFORT II base unit pull-out  
With 6 spice boxes, green

WxDxH  
479 x 133 x 76    **01 5278**

Including labels – printed and blank  
(without spices)

Storage area:  
476 x 103



**Spice rack**  
for COMFORT II base unit pull-out  
With 6 spice boxes, black

WxDxH  
479 x 133 x 76    **02 5278**

Including labels – printed and blank  
(without spices)

Storage area:  
476 x 103



**Set of spice boxes, plastic, green**  
for spice rack  
6 spice boxes

Per box:  
102 x 26 x 69  
Volume: 0,075 l    **01 5279**

Including labels – printed and blank  
(without spices)



**Set of spice boxes, plastic, black**  
for spice rack  
6 spice boxes

Per box:  
102 x 26 x 69  
Volume: 0,075 l    **02 5279**

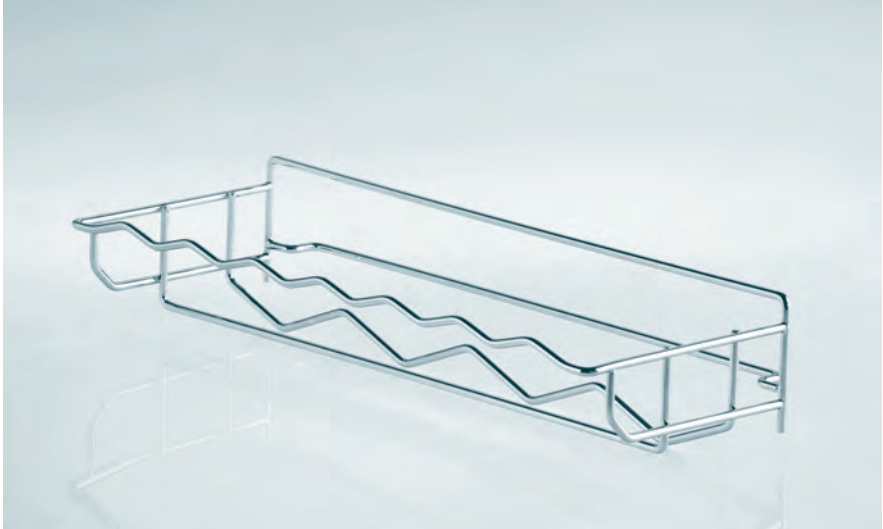
Including labels – printed and blank  
(without spices)





Practical and decorative  
bottle storage  
for the kitchen

One or two bottle racks  
can be combined in a COMFORT II  
with ARENA trays or metal baskets



**Bottle rack**  
for 30 cm COMFORT base unit pull-out

| Art. no.       | Dimensions      |
|----------------|-----------------|
|                | WxDxH           |
| <b>00 5144</b> | 210 x 470 x 108 |