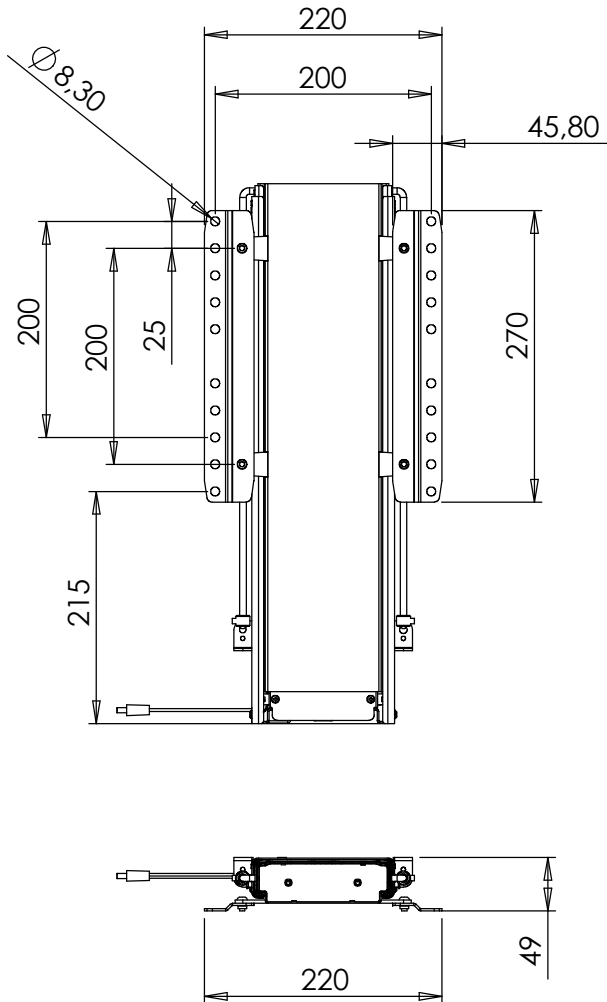
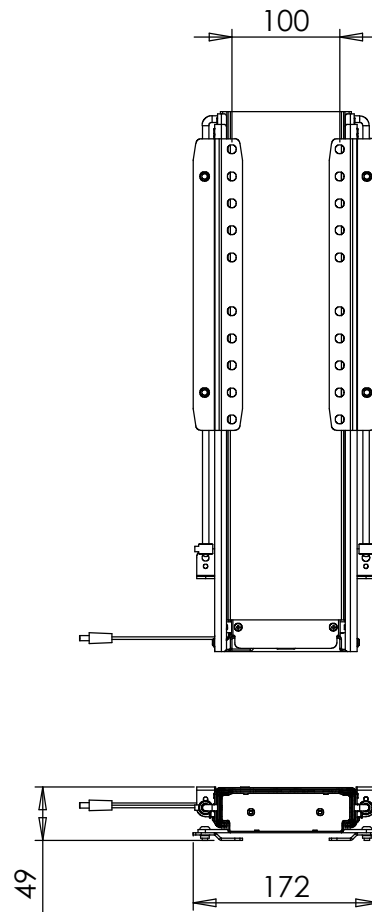


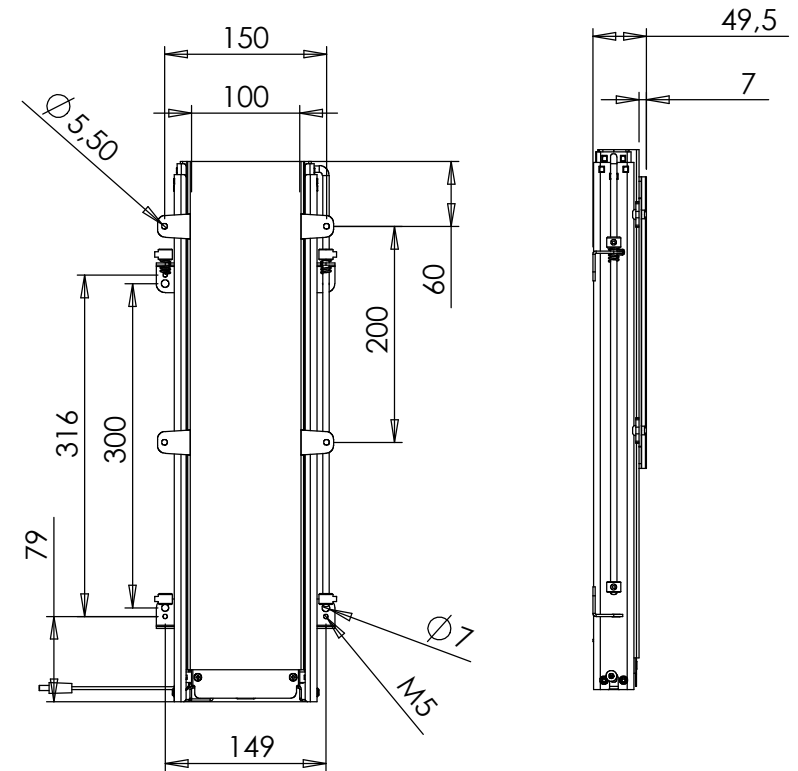
VESA 200x200

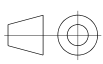


VESA 100x100, 100x200



Panel fixing holes



DO NOT SCALE DRAWING SHEET 1 OF 7		WEIGHT:	 <b>VENSET A/S</b> Nygade 63 - 6900 Skjern - Denmark <a href="http://www.venset.com">www.venset.com</a>	
UNLESS OTHERWISE SPECIFIED: DIMENSIONS ARE IN MILLIMETERS TOLERANCES: LINEAR: According to ANGULAR: DIN 7168-m	DRAWN	NAME	DATE	TITLE:
	CHECKED	jo	06-11-2013	TS600 / MB600 main measures
<b>PROPRIETARY AND CONFIDENTIAL</b> THE INFORMATION CONTAINED IN THIS DRAWING IS THE SOLE PROPERTY OF VENSET A/S. ANY REPRODUCTION IN PART OR AS A WHOLE WITHOUT THE WRITTEN PERMISSION OF VENSET A/S IS PROHIBITED.	Processes:			DWG NO.
	REMARKS:			133040
				REVISION 1